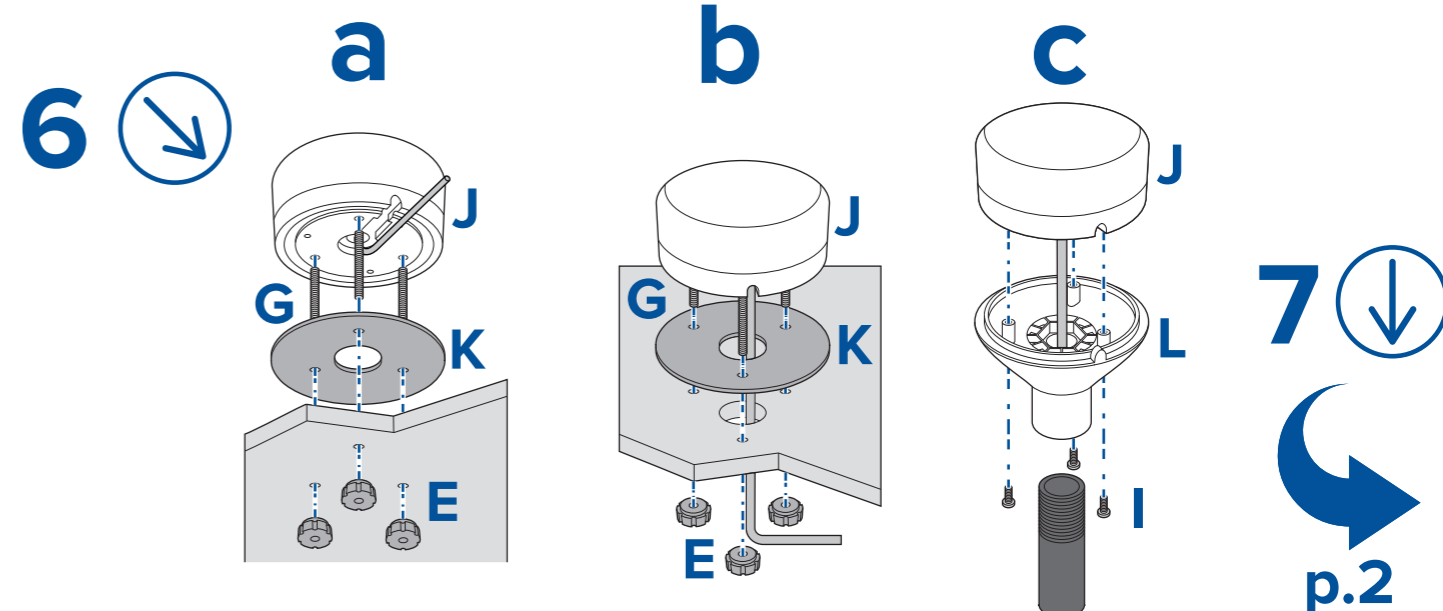
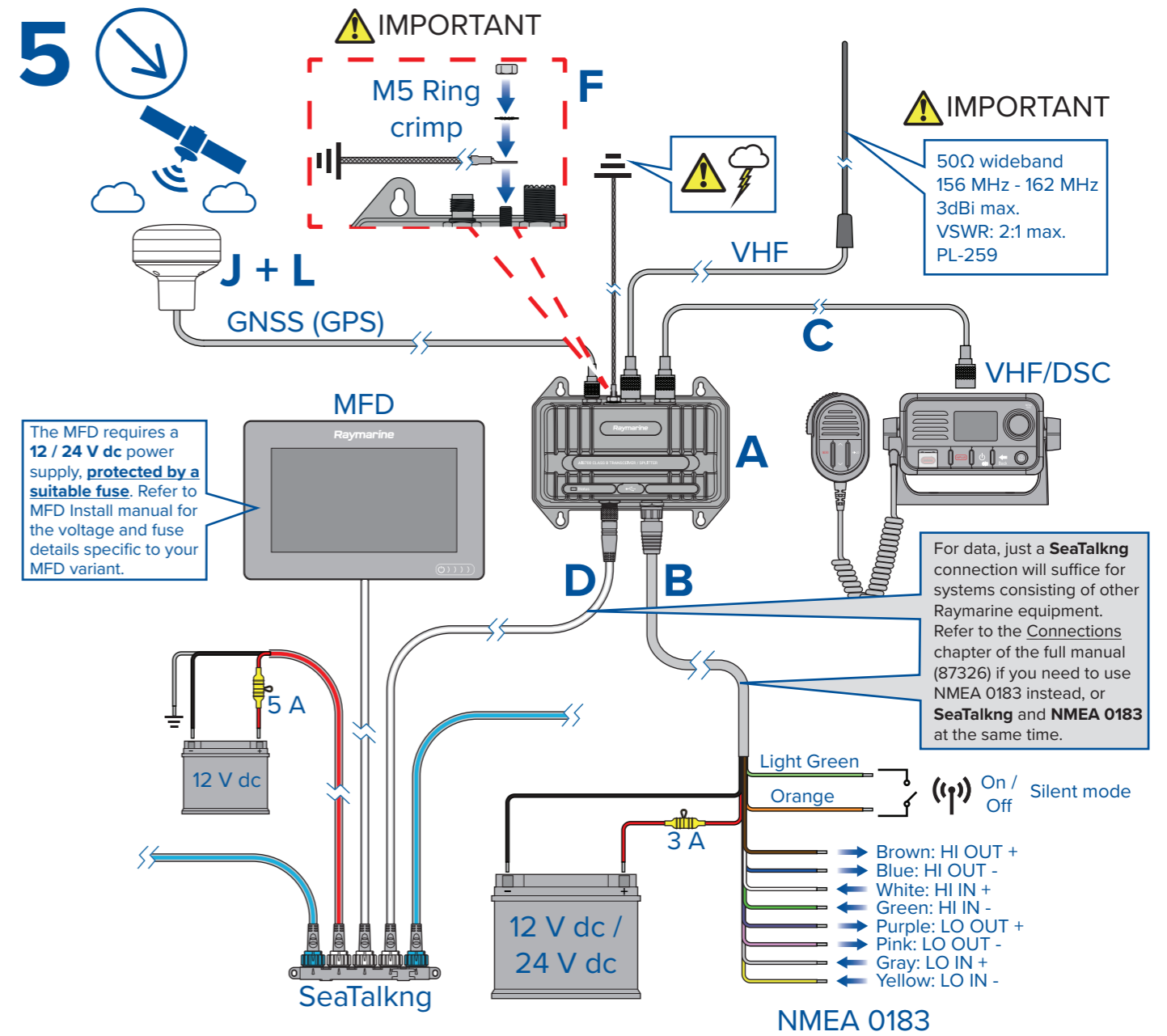
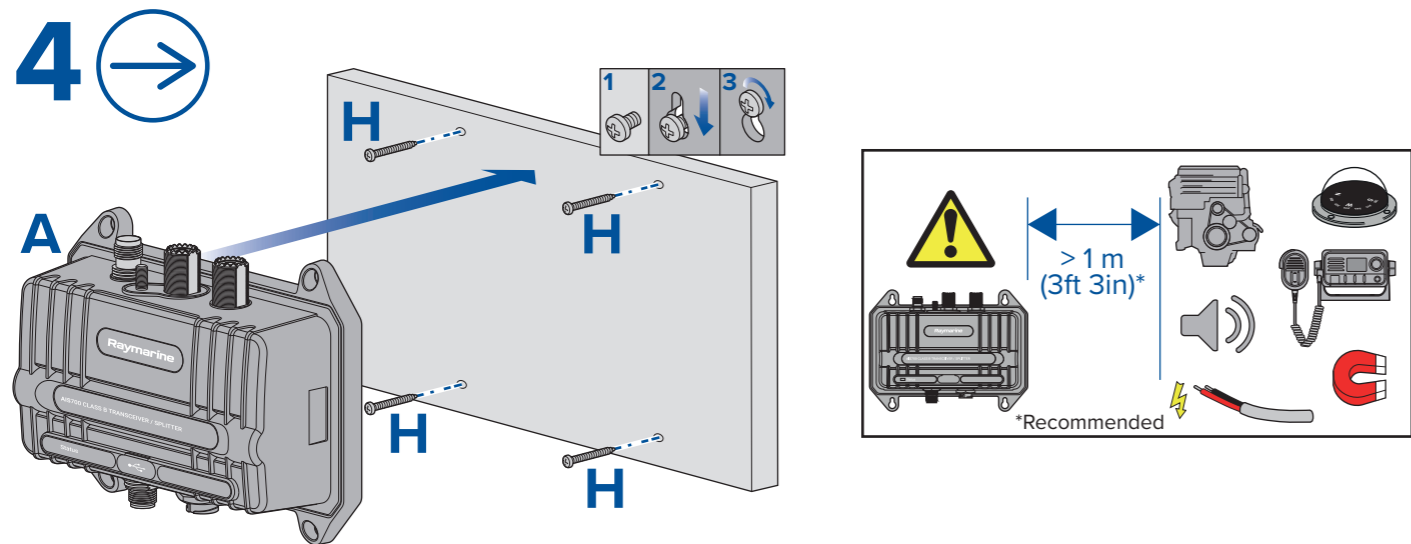
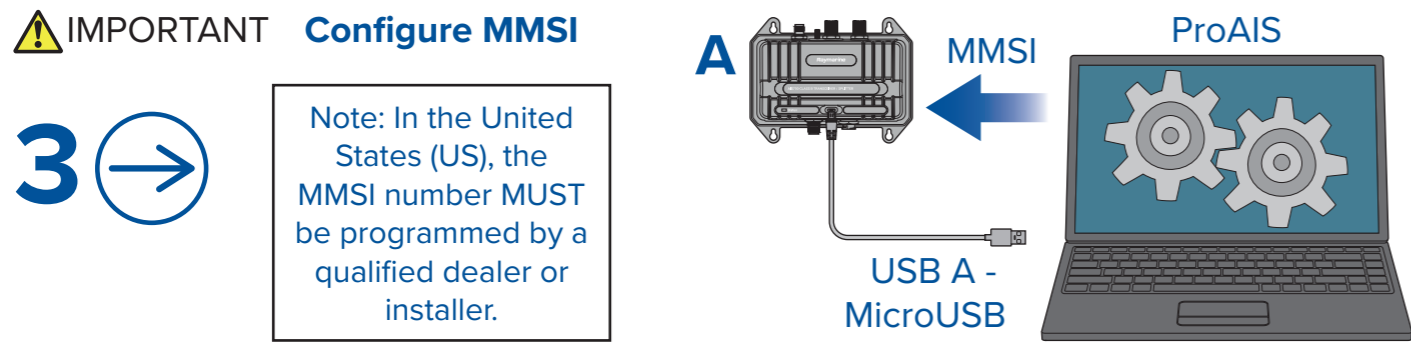
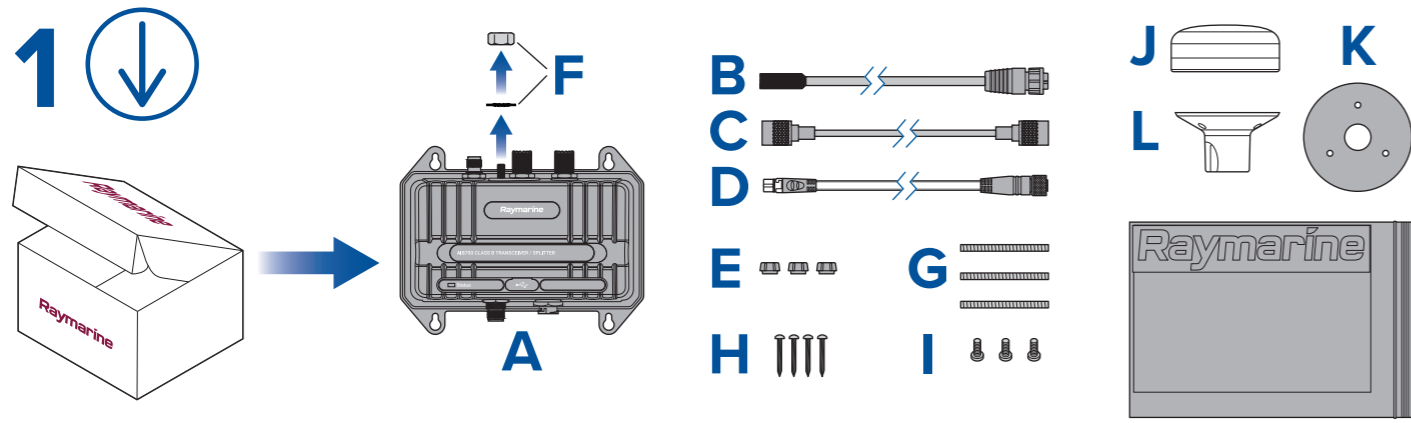


Raymarine® AIS700



Operations

7 →

a / c / e / gS / eS Series




Chart app

LH2: Menu > Presentation > Overlays > AIS > ON

81360

Axiom




Chart app

LH3: Menu > Settings > Layers > AIS > ON

81370

Element

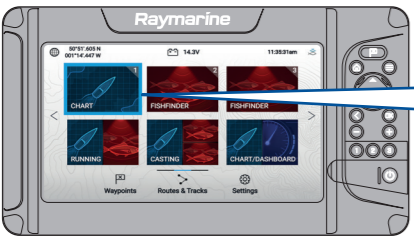
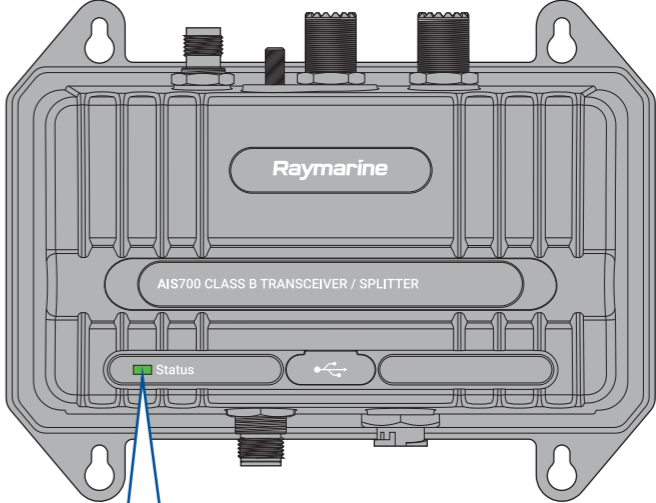


Chart app

LHS: Menu > AIS Targets > Target Settings > AIS > ON

81388

Status

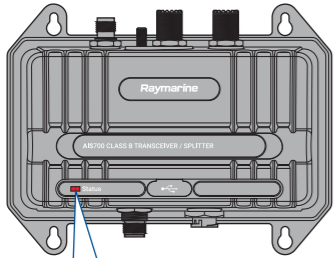


AIS700 CLASS B TRANSDUCER / SPLITTER

Status

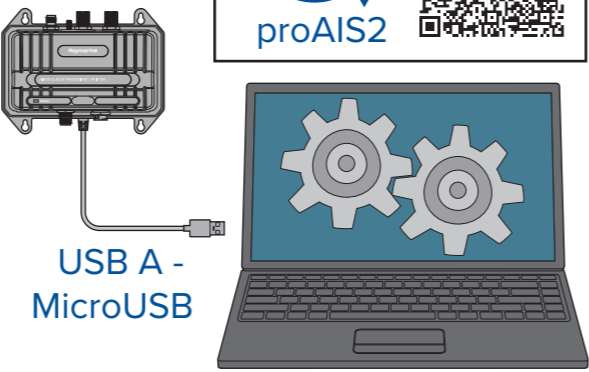
- (📶) ✓ **(Green)** = OK
- | ✗ **(Orange)** = Error & Not transmitting
- ⚙️ ✗ **(Red)** = Not programmed / Error / Fault
- | — — **(Blue)** = Silent mode

Troubleshooting



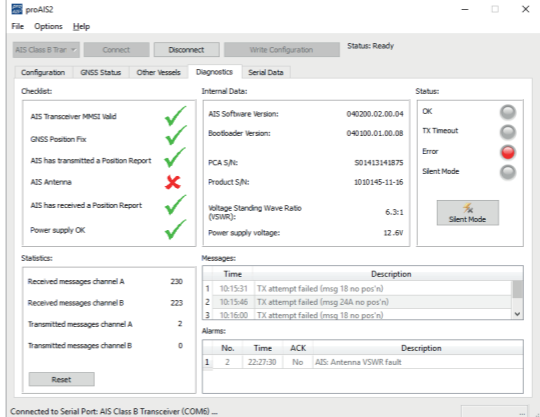
Orange / Red

→



USB A - MicroUSB

→



Connect > Diagnostics

proAIS2

Configuration: AIS Class B Transceiver

Checklist:

- AIS Transceiver MMSI valid ✓
- GNSS Position Fix ✓
- AIS has transmitted a Position Report ✓
- AIS Antenna ✗
- AIS has received a Position Report ✓
- Power supply OK ✓

Internal Data:

- AIS Software Version: 040200.02.00.04 OK
- Bootloader Version: 040100.01.00.08 TX Timeout
- PCA S/N: 001412141875 Error
- Product S/N: 1010145-11-95 Silent Mode
- Wave Standing Wave Ratio (SWR): 6.3:1
- Power supply voltage: 12.6V

Statistics:

Received messages channel A: 230

Received messages channel B: 223

Transmitted messages channel A: 2

Transmitted messages channel B: 0

Alarms:

No.	Time	ACK	Description
1	22:27:30	No	AIS Antenna VSWR fault

→

Troubleshooting Guide

